

Model CX Dust Collectors



Features

Many Applications

REES Model CX Dust Collectors can be used on many types of equipment where dust is a problem. These units efficiently collect dust from operations such as wood, plastics, food products, rubber and paper.

Quality Construction

REES Dust Collectors are heavy duty, compact, and built to last. Heavy gauge steel and continuous welds are manufacturing standards.

Efficient Operation

The Model CX Dust Collector is designed to efficiently separate particles from dust laden air. Dust passes through the fan and into the collector modules. An air deflector in each module initiates the separating process. The heavier particles drop to the storage container and clean in-plant air is returned to the manufacturing area.

Flexible Design

Choose from three different CFM capacities to suit your particular application. REES Model CX Dust Collectors are available in 10 HP, 15 HP and 20 HP sizes with 4, 6 or 8 collector modules. For smaller air volumes, use REES Model C Dust Collectors, available in 2 HP, 3 HP, 5 HP and 7 1/2 HP. The modular design allows you to add on in the future to increase filter area and storage capacity. For waste storage, this collector uses 55-gallon drums, plastic bags or cloth bags for more initial filter area.

Easy Installation

Each unit is shipped with collector modules, filter bags, assembled fan with v-belt drive, and miscellaneous parts for complete assembly. All components bolt together easily with hand tools.

Simple Maintenance

Maintenance involves a periodic shaking of the upper filter bags to knock dust particles from the inside wall and emptying of the storage drums or lower bags as required.



Dust Collection/ Steel Fabrication

Specifications

Blower Unit

All units use 3 phase, 208 -230/456 volt, 1750 rpm, TEFC motors with v-belt. The floor mounted fans include elbows and splitter fitting as needed to connect to collector modules. For smaller air volumes, use REES Model C Dust Collectors, available in 2 HP, 3 HP, 5 HP, and 7 1/2 HP.

Collector Module

Each collector module is manufactured with continuous welds and heavy gauge steel. It includes an air deflector & connecting flanges with 3/8" diameter bolts.

Leg Supports

2" square tubing provides extra support and stability 3/8" diameter bolts are included for easy assembly.

Quick Release Clamps

Adjustable steel band clamps are furnished with spring loaded clasp.

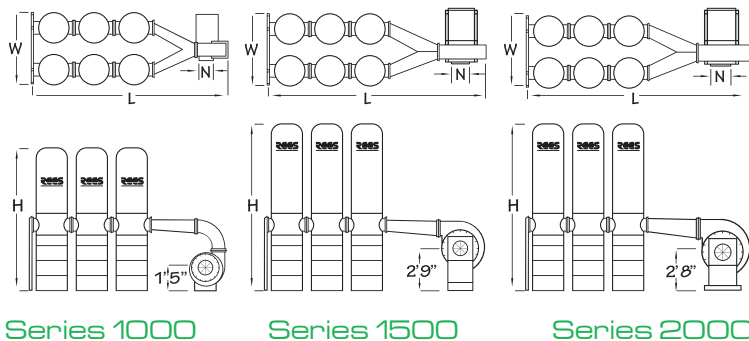
Filter Bag and Sleeve

A polyester sateen 7.5 oz./sq. yd. filter media is used with mounting grommets, support rods and band clamps. The filter sleeve is used for the drum connection. The series 1000 comes standard with 25 sq. ft. filter bags and the Series 1500 and 2000 use 40 sq. ft. filter bags. The filter sleeve has 7 sq. ft. of cloth area. Larger filter bags are available as an option.

Waste Storage

55 gallon drums, filter bags, or plastic bags may be used for waste storage. (Customer to furnish 55 gallon drums.) Option 89 cubic foot dust topper for use with forklift is also available for 6 modular collector.

Model	HP	PH	Modules	Storage Capacity Ft ³	Filter Area Ft ²	Inlet Dia. N	Length L	Width W	Height H	Shipping Weight lbs.
CX 1030-4	10	3	4	32.8	128	11"	10'	4'6"	8'3"	780
CX 1030-6	10	3	6	49.2	192	11"	12'6"	4'6"	8'3"	900
CX 1030-8	10	3	8	65.6	256	11"	15'	4'6"	8'3"	1020
CX 1530-4	15	3	4	32.8	188	13"	11'5"	5'	10'9"	1225
CX 1530-6	15	3	6	49.2	282	13"	13'11"	5'	10'9"	1345
CX 1530-8	15	3	8	65.6	376	13"	16'5"	5'	10'9"	1465
CX 2030-6	20	3	6	49.2	282	15"	14'4"	5'2"	10'11"	1530
CX 2030-8	20	3	8	65.6	376	15"	16'10"	5'2"	10'11"	1650



Options

Silencer

REES Dust Collectors are rated at 88 DBA, depending on pipe design and shop layout. A silencer package may be ordered which bolts easily between the fan and collector and cuts noise by an average of 8 DBA.

P-B Starter

Magnetic starters, non-reversing complete with NEMA 1 enclosure, reset and start/stop push-button may be ordered.

Large Filter Bags

Large filter bags may be ordered instead of standard 25 sq. ft. bags when condition involve smaller dust particles. The 40 sq. ft. bag increases the filter area by 60% and the height to 10'9". The 55 sq. ft. bag increases the filter area by 120% and the height to 13'3". Taller rod support assemblies are provided, but bags can also be tied to the ceiling.

Performance

Series	HP	Static Pressure vs CFM						
		6"	7"	8"	9"	10"	11"	12"
1000	10	4168	3852	3515	3170	2809	2480	2152
1500	15	6445	6050	5620	5120	4510	3680	2460
2000	20	8720	8210	7640	7000	6230	5200	3720

* Note: Static pressure is measured as total external in inches water gauge.

* Note: For smaller air requirements, ask about our Model C Dust Collectors available in 2 HP, 3 HP, 5 HP and 7.5 HP.



Dust Collection/ Steel Fabrication

(901) 774-8830 • (800) 467-1830 • Fax: (901) 774-5000

REES-MEMPHIS, INC. / 2426 Channel Avenue
P.O. Box 13225 / Memphis, Tennessee 38113-0225

www.reesmemphis.com